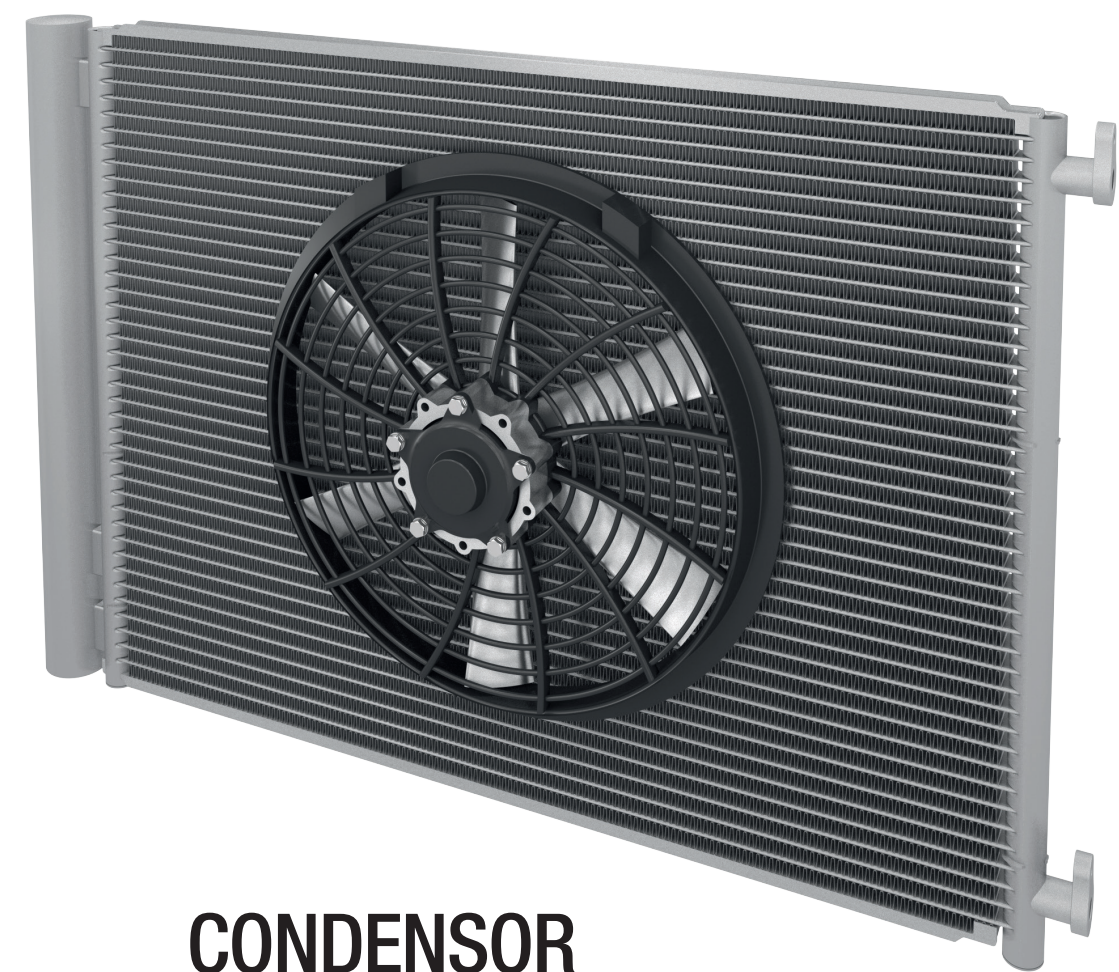
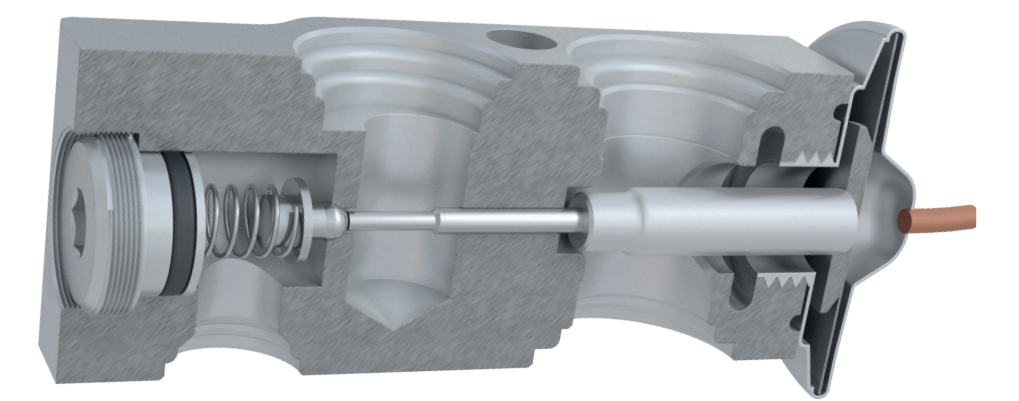
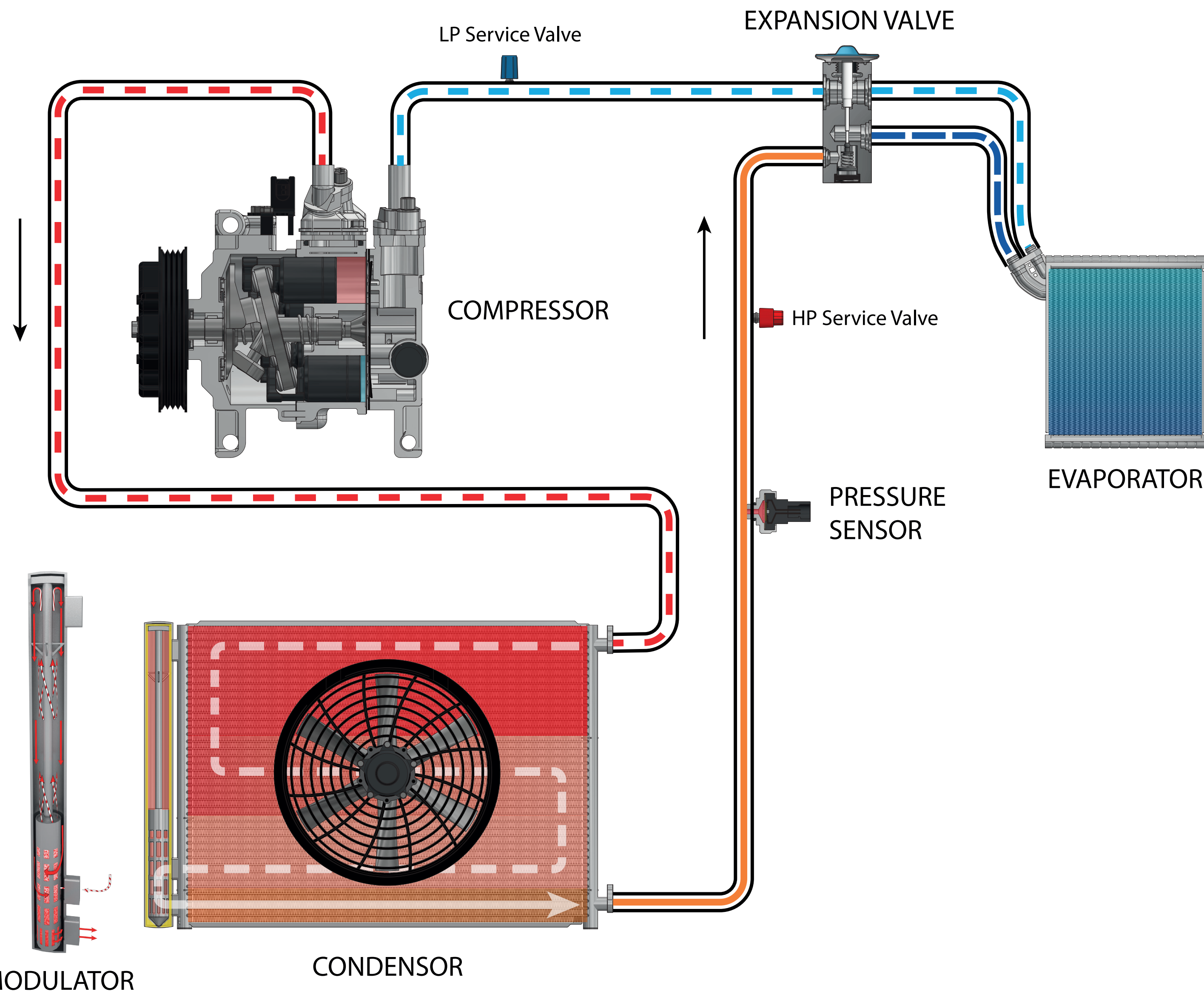


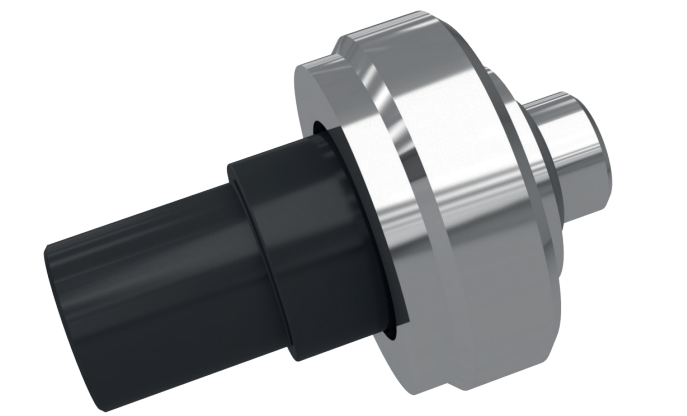
COMPRESSOR



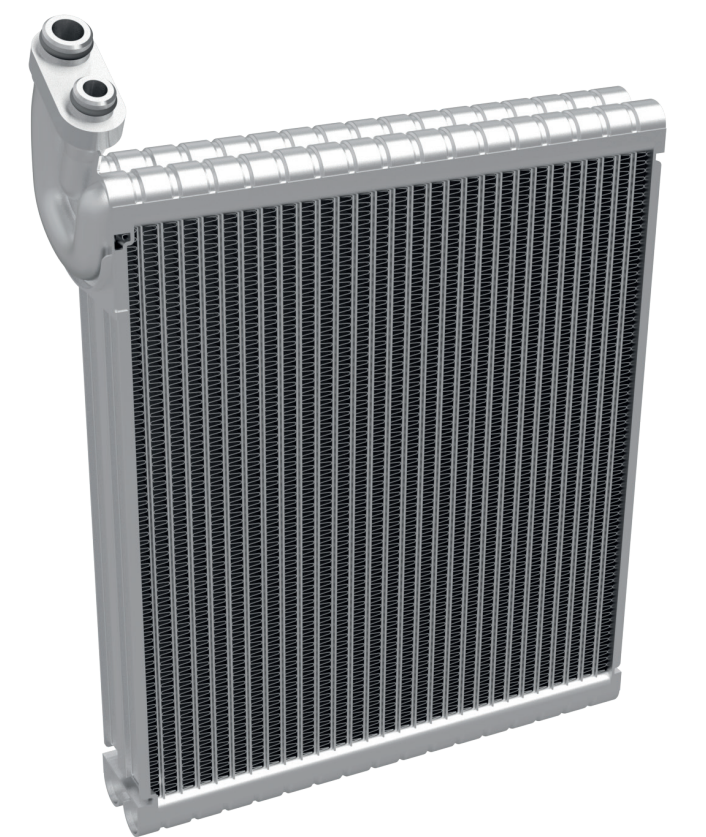
CONDENSOR



EXPANSION VALVE



PRESSURE SENSOR



EVAPORATOR