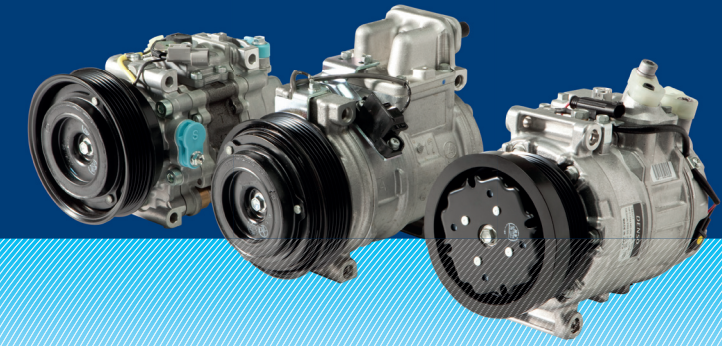


A/C Compressors

Superior OE quality for the Aftermarket



A/C Compressors | Unmatched reliability

Drivers and their passengers expect a comfortable cabin on every journey, in all weathers. Which is why car makers rely on DENSO – the world's number one manufacturer of original Thermal products – for advanced, efficient, reliable Heating, Ventilation and Air Conditioning Components. DENSO is also the world leader in A/C compressors, selected by top vehicle manufacturers such as Audi, BMW, Fiat, Mercedes, Porsche, Toyota and VW.

DENSO invests more than 9% of net sales in research and development each year. Just one of its pioneering innovations is the development of small, efficient compressors that enable air conditioning systems to be provided as standard for cars in the compact class.

DENSO EUROPE B.V.
Hogeweyselaan 165
1382 JL Weesp
The Netherlands

www.denso-am.eu

DENSO A/C Compressors

Original quality for the Aftermarket

- > DENSO is the world leader in compressors (over 40% OE market share)
- > All DENSO Compressors are new (no re-man parts)
- > No core charge or deposit
- > Compressor range is 100% OE
- > Highest product quality, extremely low warranty ratio
- > Compressors delivered as complete assemblies and filled with the right amount of oil
- > 100% fit: Perfect match to vehicle specification



Driven by Quality

Printed in Belgium DEACT3-UK10

Range | Technology based on experience

Global status | First choice for the world

For detailed information about compressor oil, warranty and installation, please refer to: www.denso-am.eu/acSystem_install.asp



Experts in A/C

Take advantage of DENSO's complete A/C solution

Purpose of the compressor

In general all car air-conditioners use the same 'vapour compression refrigeration system' with some small variations. These systems use a refrigerant which, when changing state from a liquid to a gas, absorbs high quantities of heat from the air blown into the car and in turn cools and dehumidifies the car's interior. To change the state of the refrigerant from a liquid to a gas it is necessary to change the boiling point. A compressor is used to achieve this, increasing the pressure of the refrigerant to the level required to change it from a gas to a liquid.

The DENSO A/C Compressor range exist of 2 groups, reciprocal type and rotary type compressor.

1) Reciprocating type (or piston type)

> Reciprocating type compressors are Dual Swash Plate, Single Swash Plate and Wobble Plate types.

The Single Swash Plate en Wobble Plate are variable type compressor. Compressor identification codes are:

Dual Swash Plate, fixed displacement type: 10PA and 10S

Single Swash Plate, variable displacement type: 5SE, 5TS, 5SL, 6SBU, 6SE, 7SB and 7SE

Wobble Plate, variable displacement type: 6CA

2) Rotary type

> Sliding and Through vane are fixed displacement type.

Compressor identification codes are: SV and TV.

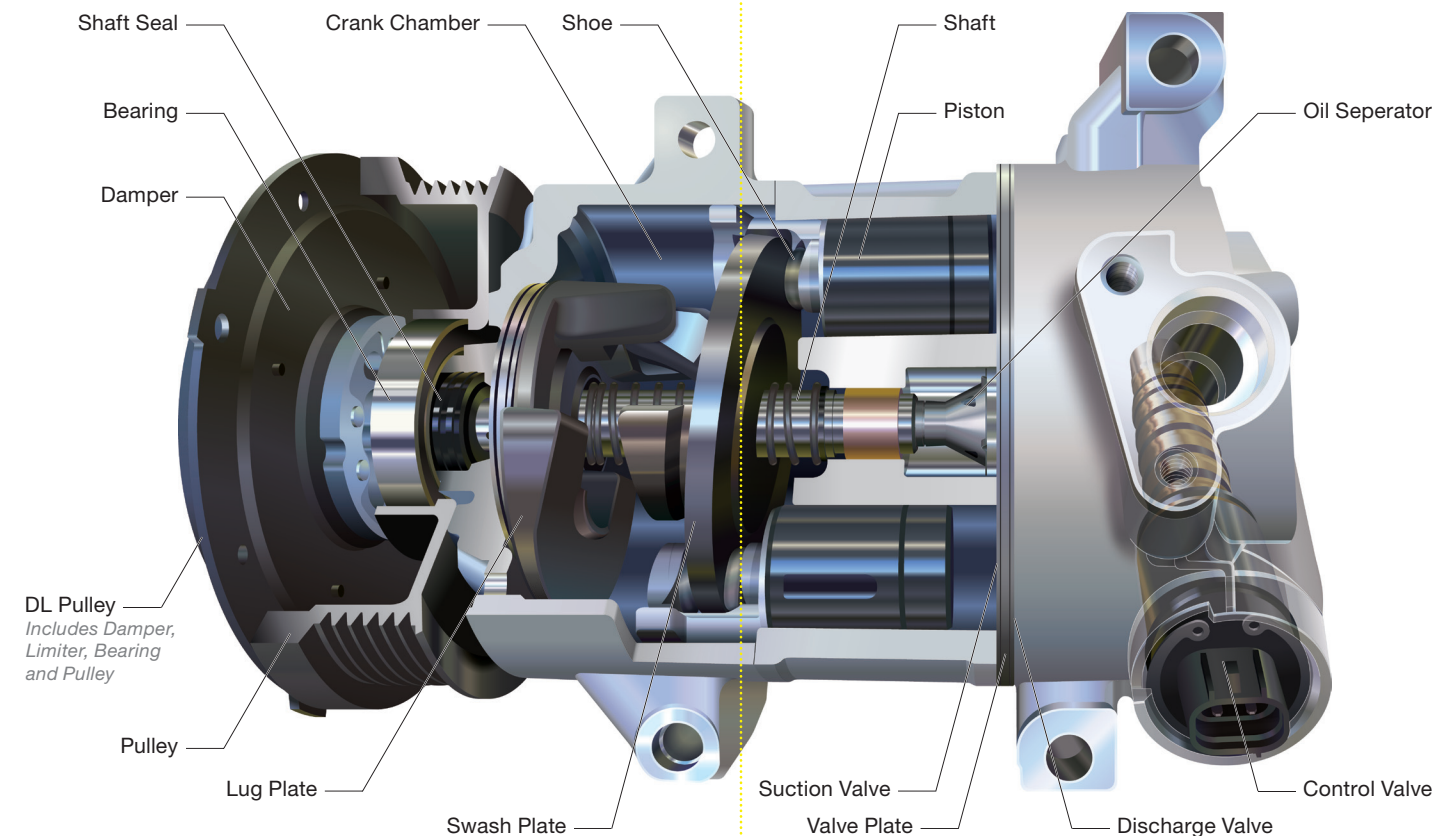
> Scroll type compressor are fixed or variable type compressor

Compressor identification codes are:

Scroll, fixed displacement type: SC

Electrical Scroll, variable type for hybrid vehicles: ES

VARIABLE CAPACITY TYPE COMPRESSOR



Our complete, OE quality A/C aftermarket programme reflects DENSO's outstanding OE engineering knowledge, setting the international benchmark for technology and quality. We will continue to expand our ranges in order to deliver a complete thermal product offering, including all relevant service parts:

- > Condensers
- > Receiver Driers
- > Expansion Valves
- > Pressure Switches

DENSO recommends the following compressor oils:

Compressor Type	Refrigerant Type	Oil Type
Type ranges (#PA, #S, #SB, #SE, SC, 6CA)	HFC134a (R-134a)	DENSO Oil 8
	HFO 1234yf (R1234yf)	DENSO Oil 12 or equivalent
Vane-type blower (TV)	HFC134a (R-134a)	DENSO Oil 9
Electrical Type (ES)	HFC134a (R-134a)	DENSO Oil 11 or equivalent
	HFO 1234yf (R1234yf)	DENSO Oil 11 or equivalent

All warranty is void when using the wrong type of oils or oil mixtures. This will inevitably reduce the lifetime or possibly damage the compressor.